



Lexmark CS310n/dn

Lexmark CS310 Series

Stunning colour. Smart for business.

The Lexmark CS310 Series colour laser printer performs like no other. With PANTONE® colour matching and other features typically found only on larger, higher-end systems, this affordable desktop system helps your company shine with professional results. Want 2-sided printing capabilities? Get the CS310dn.

Fantastic colour. Fast.

Delivers rich, consistent colour printing that can greatly enhance your company's brand, sales and presentation materials. Faster and more reliable than ever, so your team can stay highly productive.

Freedom to print on the fly: With the ability to print professional colour in-house, you'll save time and money typically spent on expensive, outside printing alternatives.

Professional colour matching: Lexmark Named Colour Replacement and PANTONE® calibration make it easy to develop a consistent brand image by accurately matching your colours.

High resolution graphics: With up to true 1200x1200 dpi resolution, images and graphics stay crisp. Lexmark's Unison™ Toner ensures consistent quality, too.

Super fast and quiet output: Quickly print up to 23 pages per minute in black and colour. You can produce a 1-page colour document in as little as 11 seconds.



Up to 23 ppm



Network



Eco-mode



Get more work done. Effortlessly.

Produce everything on the spot - from in-store signage to customer presentations. Features like an easy-to-read user control panel, large output bin and more make printing a breeze.

Reliable performance: Easily print up to 5,000 pages per month, plus enjoy fewer maintenance hassles, thanks to our state-of-the-art paper handling.

Run larger jobs without interruption: With an input capacity of up to 900 sheets and a high yield toner cartridge option, you won't have to add paper or change cartridges as often.

Print complex documents fast: Print documents with graphics and images effortlessly with 256 MB of upgradeable memory and a fast dual-core processor.

Innovative toner that optimises performance: Get greater system performance with Lexmark's Unison™ Toner, which delivers consistent image quality from first print to last.

Adaptable. Secure. Saves money, too.

Designed to help you quickly respond to changing business needs, our eco-friendly printers help your company keep a competitive edge with a streamlined workflow and cost-effective operation.

Print anytime and anywhere*: With this system, you can print from desktops as well as mobile devices that can run applications.

Better manage print jobs: Take advantage of smart functions like job waiting, custom messaging and programmable alerts.

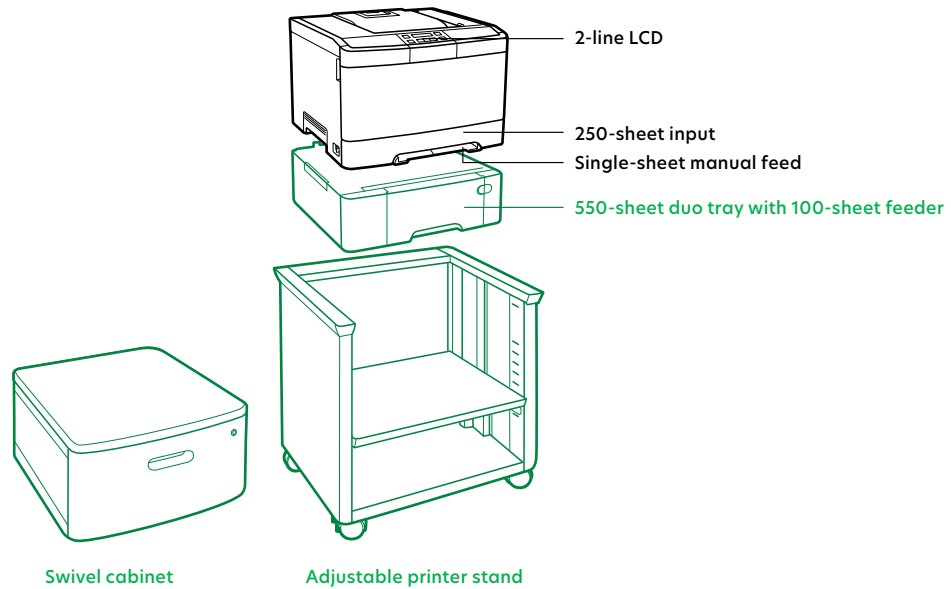
Enjoy enterprise-level security: Audit employee usage and protect sensitive data using standard network security protocols.

Save resources and the planet: An instant warm-up fuser, built-in 2-sided printing**, plus Quiet, Hibernate and Eco modes minimise noise and save paper and energy.

* For more information on Lexmark Mobile Solutions see: lexmark.com/mobile

** Duplex (two-sided printing) models are ENERGY STAR compliant, CS310dn only.

CS310 Series printer features



■ Standard
■ Optional

Product specifications	Lexmark CS310n	Lexmark CS310dn
Printing		
Display	16 character, 2-line backlit All Points Addressable (APA) LCD Display	
Print Speed: Up to ⁵	Black: 23 ppm / Colour: 23 ppm	
Time to First Page: As fast as / Time to First Page: as fast as	Black: 10 seconds / Colour: 11 seconds	
Print Resolution	Black: 4800 Colour Quality (2400 x 600 dpi), 1200 x 1200 dpi / Colour: 4800 Colour Quality (2400 x 600 dpi), 1200 x 1200 dpi	
Memory / Processor	standard: 256 MB / maximum: 2304 MB / Dual Core, 800 MHz	
Hard Disk	Not Available	
Recommended Monthly Page Volume ²	500 - 5000 Pages	
Maximum Monthly Duty Cycle: Up to ³	60000 pages per month	
Supplies⁷		
Laser Cartridge Yields (up to) ¹	4,000-page Black High Yield Cartridge, 3,000-page Colour (CMY) High Yield Cartridges, 1,000-page Black and Colour (CMYK) Cartridges	
Photoconductor Estimated Yield: Up to ⁶	40,000 pages, based on 3 average letter/A4-size pages per print job and ~ 5% coverage	
Cartridge(s) Shipping with Product ¹	750-page Black and Colour (CMYK) Starter Return Program Toner Cartridges	1,400-page Black and Colour (CMYK) Starter Return Program Toner Cartridges
Paper Handling		
Included Paper Handling	Single-Sheet Manual Feed, 125-Sheet Output Bin, 250-Sheet Input	Single-Sheet Manual Feed, Integrated Duplex, 125-Sheet Output Bin, 250-Sheet Input
Optional Paper Handling	550-Sheet Duo Tray with 100-Sheet Feeder	
Paper Input Capacity: Up to	Standard: 250+1 pages 75 gsm bond / Maximum: 900+1 pages 75 gsm bond	
Paper Output Capacity: Up to	Standard: 125 pages 75 gsm bond / Maximum: 125 pages 75 gsm bond	
Media Types Supported	Refer to the Card Stock & Label Guide., Transparencies, Plain Paper, Paper Labels, Card Stock	
Media Sizes Supported	Oficio, Universal, Letter, Legal, JIS-B5, Folio, Executive, A5, A4	
General Information⁴		
Standard Ports	Ethernet 10/100BaseTX (RJ-45), also works with 1000Base-T, USB 2.0 Specification Hi-Speed Certified (Type B)	
Optional Network Ports	MarkNet N8352 802.11b/g/n Wireless	MarkNet N8352 802.11b/g/n Wireless, External MarkNet™ N7020e Gigabit Ethernet
Noise Level: Operating	Print: 48 dBA	
Specified Operating Environment	Altitude: 0 - 2896 Meters (9,500 Feet), Humidity: 8 to 80% Relative Humidity, Temperature: 16 to 32°C (60 to 90°F)	
Product Guarantee	1-Year Onsite Service	
Size (mm - H x W x D) / Weight	291 x 442 x 407 mm / 20.1 kg	291 x 442 x 407 mm / 20.3 kg

¹Average continuous black or continuous composite CMY declared cartridge yield up to this number of standard pages in accordance with ISO/IEC 19798. ²Recommended Monthly Page Volume" is a range of pages that helps customers evaluate Lexmark's product offerings based on the average number of pages customers plan to print on the device each month. Lexmark recommends that the number of pages per month be within the stated range for optimum device performance, based on factors including: supplies replacement intervals, paper loading intervals, speed, and typical customer usage. ³Maximum Monthly Duty Cycle" is defined as the maximum number of pages a device could deliver in a month using a multishift operation. This metric provides a comparison of robustness in relation to other Lexmark printers and MFPs. ⁴Printers are sold subject to certain license/agreement conditions. See www.lexmark.com/printerlicense for details. ⁵Print and copy speeds measured in accordance with ISO/IEC 24734 and ISO/IEC 24735 respectively (ESAT). For more information see: www.lexmark.com/ISOspeeds. ⁶Actual Yield may vary based on other factors such as device speed, paper size and feed orientation, toner coverage, tray source, percentage of black-only printing and average print job complexity. ⁷Product functions only with replacement cartridges designed for use in a specific geographical region. See www.lexmark.com/regions for more details.

© 2015 Lexmark and the Lexmark logo are trademarks of Lexmark International, Inc., registered in the United States and/or other countries. All other trademarks are the property of their respective owners. ENERGY STAR® is a U.S. registered mark.

AirPrint and the AirPrint logo are trademarks of Apple Inc.